

Product Data Sheet



Physical Property Data

Property	Test Method	Type I Value	Type II Value
Equipment Operating Temperature Range ¹	ASTM C 411	Up to 1,000°F (538°C)	
Nominal Density	ASTM C 167	1.0 pcf (16 kg/m ³)	2.4 pcf (38 kg/m ³)
Shot Content	ASTM C 1335	Negligible	
Water Vapor Sorption	ASTM C 1104	< 2.0% by weight at 120°F (49°C), 95% R.H.	
Surface Burning Characteristics	UL 723,** ASTM E 84** or CAN/ULC-S102**		
Flame Spread ²		25	
Smoke Developed		50	

1. Maximum allowable thickness at 1,000°F (538°C): Type I - 8.5" (216mm); Type II - 6" (152mm).
2. The surface burning characteristics of these products have been determined in accordance with UL 723, ASTM E 84 or CAN/ULC-S102. This standard should be used to measure and describe the properties of materials, products or assemblies in response to heat and flame under controlled laboratory conditions and should not be used to describe or appraise the fire hazard or fire risk of materials, products or assemblies under actual fire conditions. However, results of this test may be used as elements of a fire risk assessment which takes into account all of the factors which are pertinent to an assessment of the fire hazard of a particular end use. Values are reported to the nearest 5 rating.

Type I

Type II

Description

Fiberglas™ TIW Types I and II Insulations are off-white to light tan, noncombustible wool with resilient, inorganic glass fibers bonded with a thermosetting resin. TIW Type I Insulation is available in rolls; TIW Type II Insulation comes in batts.

Key Features

- Excellent thermal performance contributes to lower fuel costs due to reduced heat loss.
- Easy to handle and install. The insulation is easily impaled over welded studs or pins, or may be held in place with wire ties, metal lath or lagging.
- Can be used in direct contact with steel, copper and aluminum without corrosive effects.

Product Applications

Fiberglas™ TIW Type I Insulation is used in applications up to 1,000°F (538°C) at maximum recommended thickness requiring a lightweight insulation, such as that used in panel systems, flexible wrap, industrial ovens

Availability

Standard Sizes	TIW, Type I	TIW, Type II
Standard Roll Widths, in. (m)	24 (0.6)	—
	36 (0.9)	—
	48 (1.2)	—
Lengths, ft. (m)	33 (10.1)	—
	44 (13.4)	—
	66 (20.1)	—
Thicknesses, in. (mm)	1 (25)	1 (25) to 4 (102) in ½ (13) increments
	2 (51)	
	3 (76)	
	4 (102)	
Standard Batts Widths, in. (m)	—	24 × 48 (0.6 × 1.2)
	—	36 × 48 (0.9 × 1.2)
	—	48 × 48 (1.2 × 1.2)

or surfaces having irregularities. Its low compressive strength does not make it suitable for use as a base wool for metal mesh blankets.

Installation

Fiberglas™ TIW Type II Insulation is especially suitable for use in metal mesh blankets and for use on boilers, vessels and many other types of industrial equipment operating at temperatures up to 1,000°F (538°C) at maximum recommended thickness. It may also be used in panel systems for precipitators, ducts and breechings where more compressive resistance than

Fiberglas™ TIW Type I Insulation is needed.

Fiberglas™ TIW Types I and II Insulations can be installed directly on heated flat and curved surfaces by attaching with welded pins or studs and finishing with sheet metal or metal mesh and insulating cement, then canvassed and painted. Pins with speed washers or studs and nuts should be installed on 16" (400mm) (maximum) spacing and not more than 4" (100mm) from the edge of the insulation. The insulation is normally impaled over the pins or studs and the enclosing sheet metal or metal mesh secured to



Fiberglas™ TIW Types I & II Insulations Thermal Insulating Wool

Product Data Sheet

the same fasteners. Joints of the sheet metal finish are offset from joints of the insulation.

For temperatures over 400°F (204°C), good insulation practice suggests double layer application, regardless of insulation type. Single layer installation of any type of insulation material requires good workmanship to minimize heat loss and hot spots at insulation joints. Fiberglas™ TIW Types I and II Insulations may be installed in either single or multiple layers at all temperatures up to 1,000°F (538°C). Maximum allowable thicknesses at that temperature: TIW Type I, 8½" (216mm); TIW Type II, 6" (152mm).

Standards, Codes Compliance

- ASTM C 553, Mineral Fiber Blanket Thermal Insulation, Types I, II, V – TIW Type I; all types – TIW Type II when specification Type VII is limited to 1,000°F maximum use temperature.
- ASTM C 612, Mineral Fiber Block & Board Thermal Insulation, Types IA, II, III – TIW Type II
- ASTM C 795, Thermal Insulation for Use Over Austenitic Stainless Steel*
- ASTM C 1139, Fibrous Glass Thermal Insulation and Sound Absorbing Blanket and Board for Military Applications, Type I, Grade 2 – TIW Type I; Type 2, Grade 2 – TIW Type II

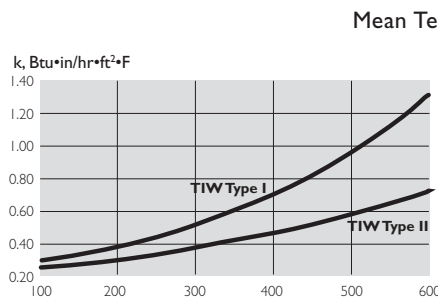
Thermal Performance, ASTM C 680

	Thickness in. (mm)	Operating Temperature, °F (°C)							
		400 (204)		600 (316)		800 (427)		1,000 (538)	
		HL	ST	HL	ST	HL	ST	HL	ST
TIW Type I	1 (25)	110	182	265	282	525	415	912	568
	2 (51)	62	144	148	209	298	301	529	417
	3 (76)	43	128	103	177	207	247	370	340
	4 (102)	33	118	79	158	159	216	283	293
	5 (127)	27	112	64	146	128	195	230	261
	6 (152)	22	108	54	137	108	180	193	239
	7 (178)	19	105	46	131	93	169	167	221
	8 (203)	17	102	41	126	82	160	146	208
TIW Type II	1 (25)	85	163	182	232	329	318	538	421
	2 (51)	47	131	100	174	180	230	295	299
	3 (76)	32	118	69	150	124	192	203	245
	4 (102)	25	110	52	136	94	170	155	213
	5 (127)	20	105	42	127	76	156	125	193
	6 (152)	17	102	36	121	64	146	105	178

The above table provides approximate heat loss values (HL), Btu/hr•ft², and Surface Temperatures (ST), °F, for flat surfaces. Values are based on horizontal heat flow, vertical flat surface, 80°F ambient temperature, still air, weathered aluminum jacket. To convert heat loss values to W/m², multiply values by 3.15. To convert surface temperatures, use the formula: °C = (°F-32)/1.8.

Thermal Conductivity

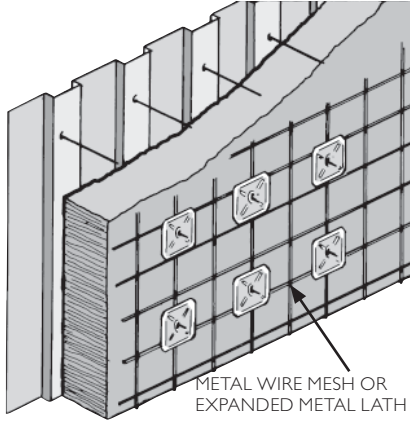
	Mean Temp.	k	Mean Temp.	λ
	°F	Btu•in/hr•ft ² •°F	°C	W/m•°C
TIW Type I	75	0.27	25	0.039
	100	0.29	50	0.044
	200	0.39	100	0.058
	300	0.52	150	0.075
	400	0.70	200	0.099
	500	0.96	250	0.131
	600	1.31	300	0.173
TIW Type II	75	0.23	25	0.033
	100	0.24	50	0.036
	200	0.30	100	0.044
	300	0.37	150	0.054
	400	0.46	200	0.066
	500	0.58	250	0.080
600	0.73	300	0.098	



Apparent thermal conductivity curve determined in accordance with ASTM Practice C 1045 with data obtained by ASTM Test Method C 177. Values are nominal, subject to normal testing and manufacturing tolerances.

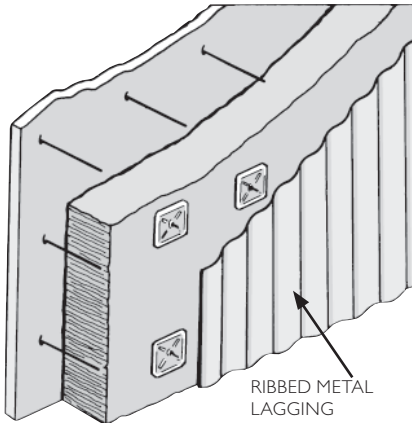
Product Data Sheet

PANEL CONSTRUCTION



- Mil. Spec. MIL-I-22023D (Ships), Insulation Felt, Thermal and Sound Absorbing Felt, Fibrous Glass, Flexible, Types I & 2, Class 3 – TIW Type I
- Nuclear Regulatory Commission Guide 1.36, Non-Metallic Thermal Insulation*
- U.S. Coast Guard Approval No. 164.109, Noncombustible Materials
- CAN/CGSB-51.11 – Type I, Class 4 – Fiberglas™ TIW Types I & II insulation

FLUSH APPLICATION – METAL LAGGING

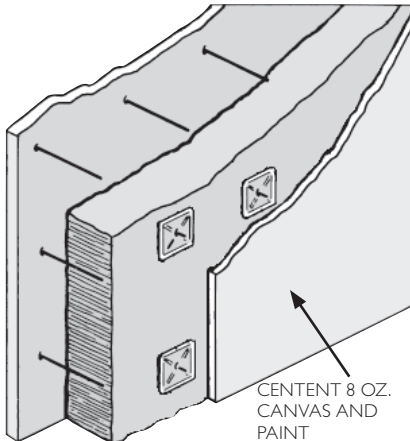


* Preproduction qualification testing complete and on file. Chemical analysis of each production lot testing required for total conformance.

Environmental and Sustainability

Owens Corning is a worldwide leader in building material systems, insulation and composite solutions, delivering a broad range of high-quality products and services. Owens Corning is committed to driving sustainability by delivering solutions, transforming markets and enhancing lives. More information can be found at www.sustainability.owenscorning.com.

FLUSH APPLICATION – CANVASSED, PAINTED





Fiberglas™ TIW Types I & II Insulations Thermal Insulating Wool

Product Data Sheet

Disclaimer of Liability

Technical information contained herein is furnished without charge or obligation and is given and accepted at recipient's sole risk. Because conditions of use may vary and are beyond our control, Owens Corning makes no representation about, and is not responsible or liable for the accuracy or reliability of data associated with particular uses of any product described herein. Nothing contained in this bulletin shall be considered a recommendation.



INNOVATIONS FOR LIVING®

OWENS CORNING INSULATING SYSTEMS, LLC
ONE OWENS CORNING PARKWAY
TOLEDO, OHIO 43659

1-800-GET-PINK®

www.owenscorningcommercial.com

Pub. No. 14729-M. Printed in U.S.A. June 2012. THE PINK PANTHER™ & ©1964-2012 Metro-Goldwyn-Mayer Studios Inc. All Rights Reserved. The color PINK is a registered trademark of Owens Corning. ©2012 Owens Corning. All Rights Reserved.

